

## AM/FM STEREO RECEIVER

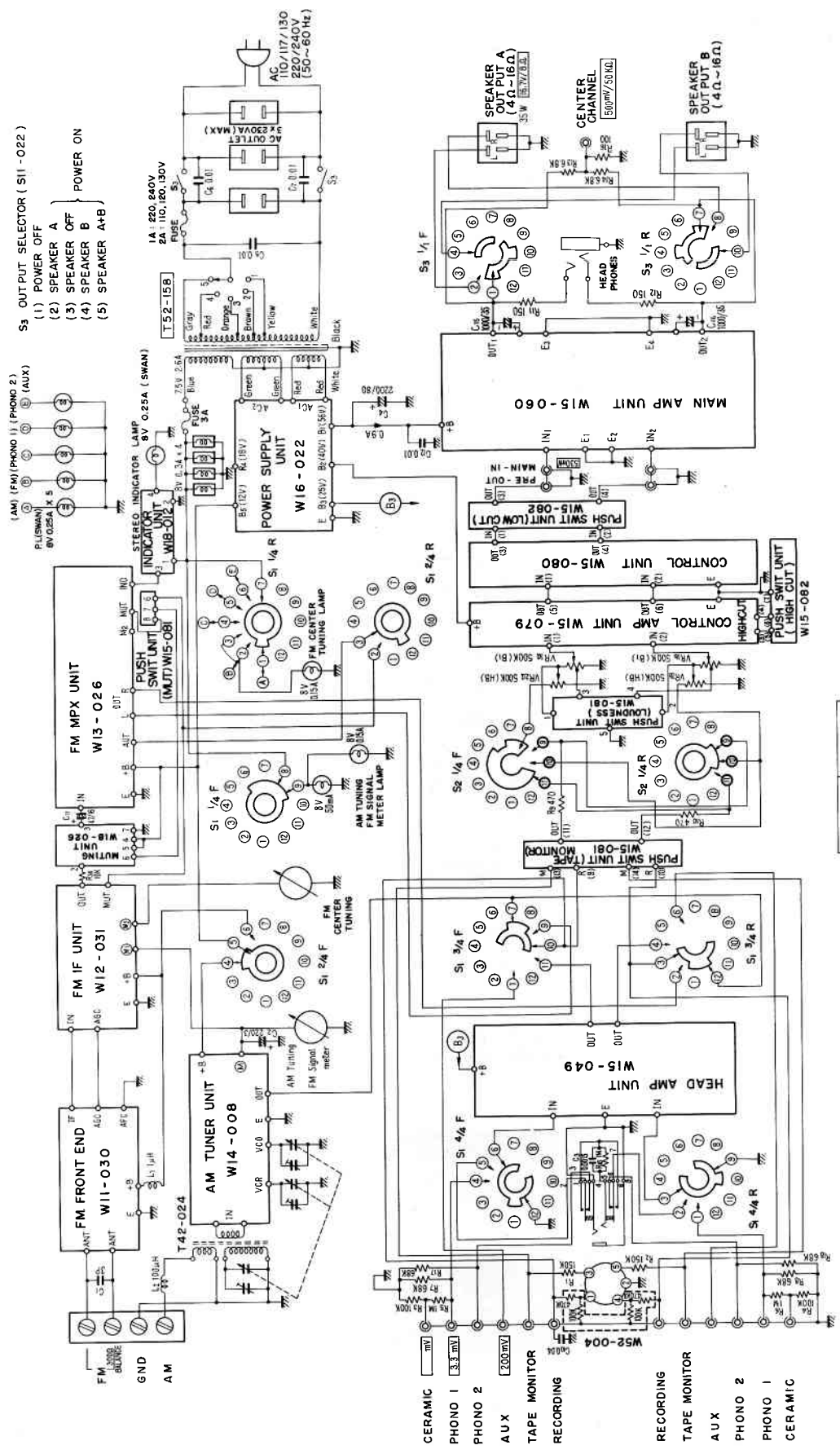
### SX-990

ROUND LABEL UNIT	FSAW	FVW	FVZW	KCW	KUW	NBW
<b>TUNER UNIT</b>						
<b>FM FRONT END</b>	W11-030	W11-028	AWB-001	W11-028	W11-028	W11-028
<b>FM IF UNIT</b>	W12-031	W12-032	W12-032	W12-032	W12-032	W12-032
<b>MPX UNIT</b>	W13-026	W13-026	W13-026	W13-026	W13-026	W13-026
<b>AM TUNER UNIT</b>	W14-008	W14-008	W14-008	W14-008	W14-008	W14-015
<b>MUTING UNIT</b>	W18-026	W18-026	W18-026	W18-026	W18-026	W18-026
<b>HEAD AMP UNIT</b>	W15-049	W15-049	W15-049	W15-049	W15-049	W15-049
<b>CONTROL AMP UNIT</b>	W15-079	W15-079	W15-079	W15-079	W15-079	W15-079
<b>MAIN AMP UNIT</b>	W15-060	W15-060	W15-060	W15-060	W15-060	W23-006
<b>POWER SUPPLY UNIT</b>	W16-022	W16-022	W16-022	W16-022	W16-022	W16-065
<b>SWITCH UNIT</b>	W15-081	W15-081	W15-081	W15-081	W15-081	W15-081
<b>SWITCH UNIT</b>	W15-082	W15-082	W15-082	W15-082	W15-082	W15-082
<b>SWITCH UNIT</b>						
<b>TONE COLOR UNIT</b>						
<b>CONTROL UNIT</b>	W15-080	W15-080	W15-080	W15-080	W15-080	W15-080
<b>MIC AMP UNIT</b>						
<b>REVERBE AMP UNIT</b>						
<b>REVERBE UNIT</b>						
<b>INDICATOR UNIT</b>	W18-012	W18-012	W18-012	W18-012	W18-012	W18-012



**SX - 990**

- S<sub>1</sub> INPUT SELECTOR (S13-029)**  
 (1) AM (4) PHONO 1 (CERAMIC)  
 (2) FM (5) PHONO 2 (MIC)  
 (3) FM AUTO (6) AUX
- (AM) (FM) (PHONO 1) (PHONO 2)  
 (1) (2) (3) (4) (5) (6) (AUX)
- S<sub>2</sub> MODE SELECTOR (S14-035)**  
 (1) STEREO REV  
 (2) STEREO NORM  
 (3) MONO L  
 (4) MONO R  
 (5) MONO L+R
- S<sub>3</sub> OUTPUT SELECTOR (S11-022)**  
 (1) POWER OFF  
 (2) SPEAKER A  
 (3) SPEAKER OFF  
 (4) SPEAKER B  
 (5) SPEAKER A+B
- POWER ON**

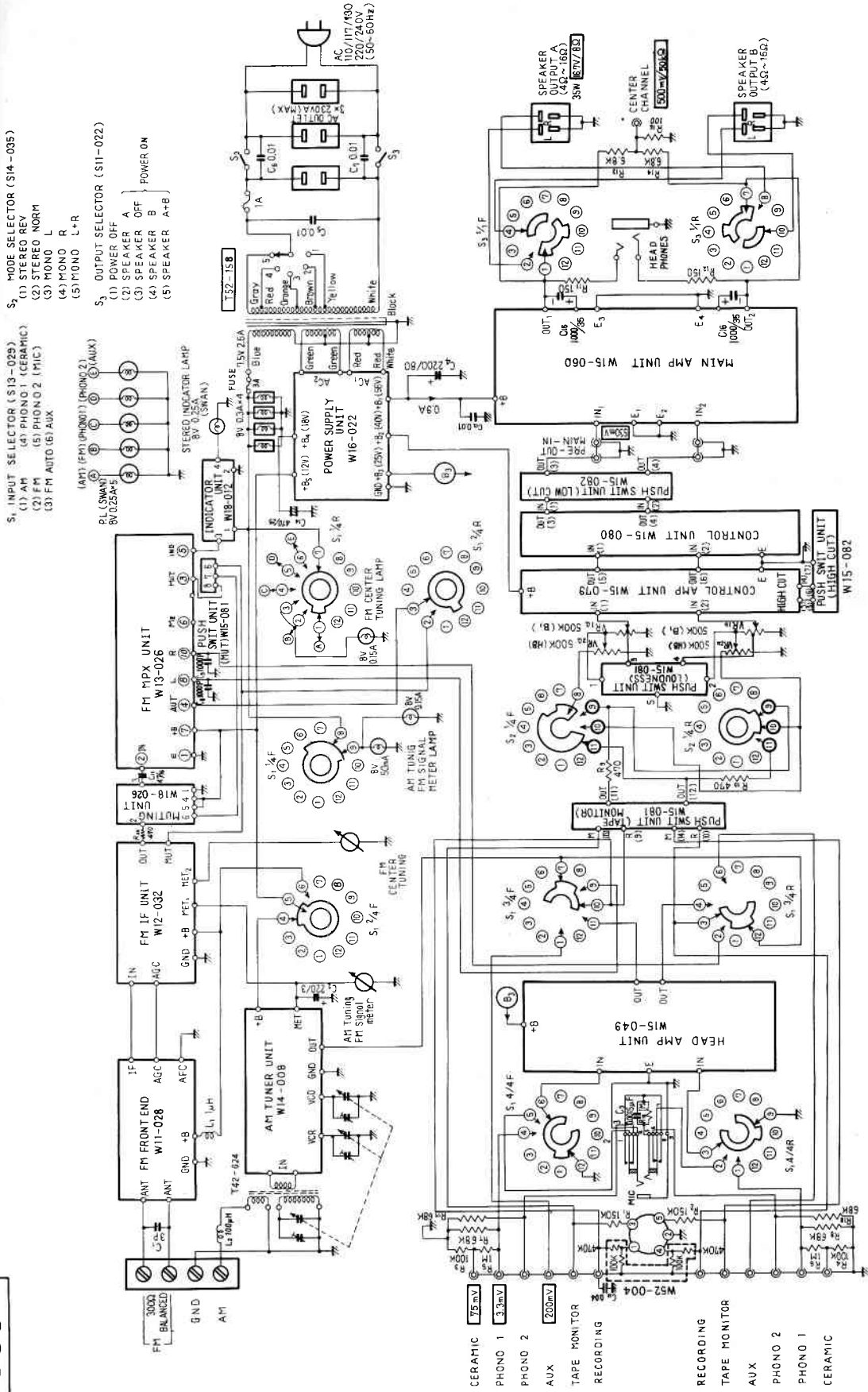


ITEM NO.	VACANT
R <sub>1</sub> ~ R <sub>10</sub>	R <sub>10</sub> ~ R <sub>23</sub>
C <sub>1</sub> ~ C <sub>12</sub>	C <sub>8</sub> ~ C <sub>9</sub>

- CERAMIC [ 3.3 33 ]  
 PHONO 1 [ 3.3 33 ]  
 PHONO 2 [ 200 20 ]  
 AUX [ 200 20 ]  
 TAPE MONITOR  
 RECORDING  
 RECORDING  
 TAPE MONITOR  
 AUX  
 PHONO 2  
 PHONO 1  
 CERAMIC

SX-990 for FVW model

SX-990



- S<sub>1</sub> MODE SELECTOR (S14-035)**  
 (1) STEREO REV  
 (2) STEREO NORM  
 (3) MONO L  
 (4) MONO R  
 (5) MONO L+R
- S<sub>2</sub> OUTPUT SELECTOR (S11-022)**  
 (1) POWER OFF  
 (2) SPEAKER A  
 (3) SPEAKER OFF  
 (4) SPEAKER B  
 (5) SPEAKER A+B
- POWER ON

- S<sub>3</sub> INPUT SELECTOR (S13-029)**  
 (1) AM  
 (2) FM  
 (3) FM AUTO (6) AUX
- (4) PHONO 1 (CERAMIC)  
 (5) PHONO 2 (MIC)  
 (6) FM AUTO (6) AUX
- (1) FM (PHONO 1) (PHONO 2)  
 (2) SWAN  
 (3) 8V 0.25A  
 (4) 8V 0.25A  
 (5) 8V 0.25A  
 (6) 8V 0.25A

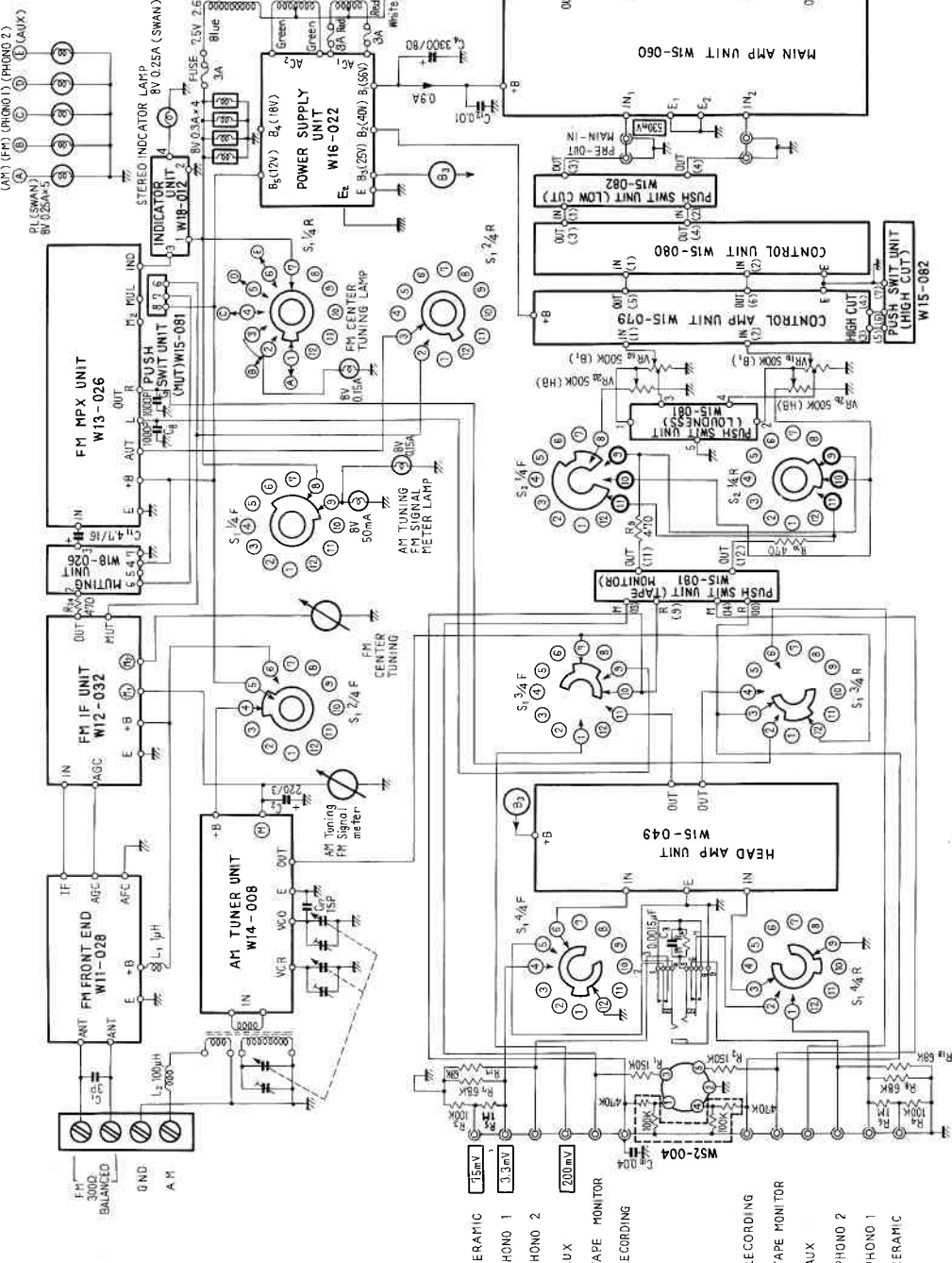
- CERAMIC 75mV  
 PHONO 1 3.3mV  
 PHONO 2 200mV  
 AUX  
 TAPE MONITOR  
 RECORDING  
 RECORDING  
 TAPE MONITOR  
 AUX  
 PHONO 2  
 PHONO 1  
 CERAMIC

ITEM No	VACANT
R <sub>1</sub> ~ R <sub>10</sub>	R <sub>10</sub> ~ R <sub>10</sub>
C <sub>1</sub> ~ C <sub>10</sub>	



SX-990 for KUW model

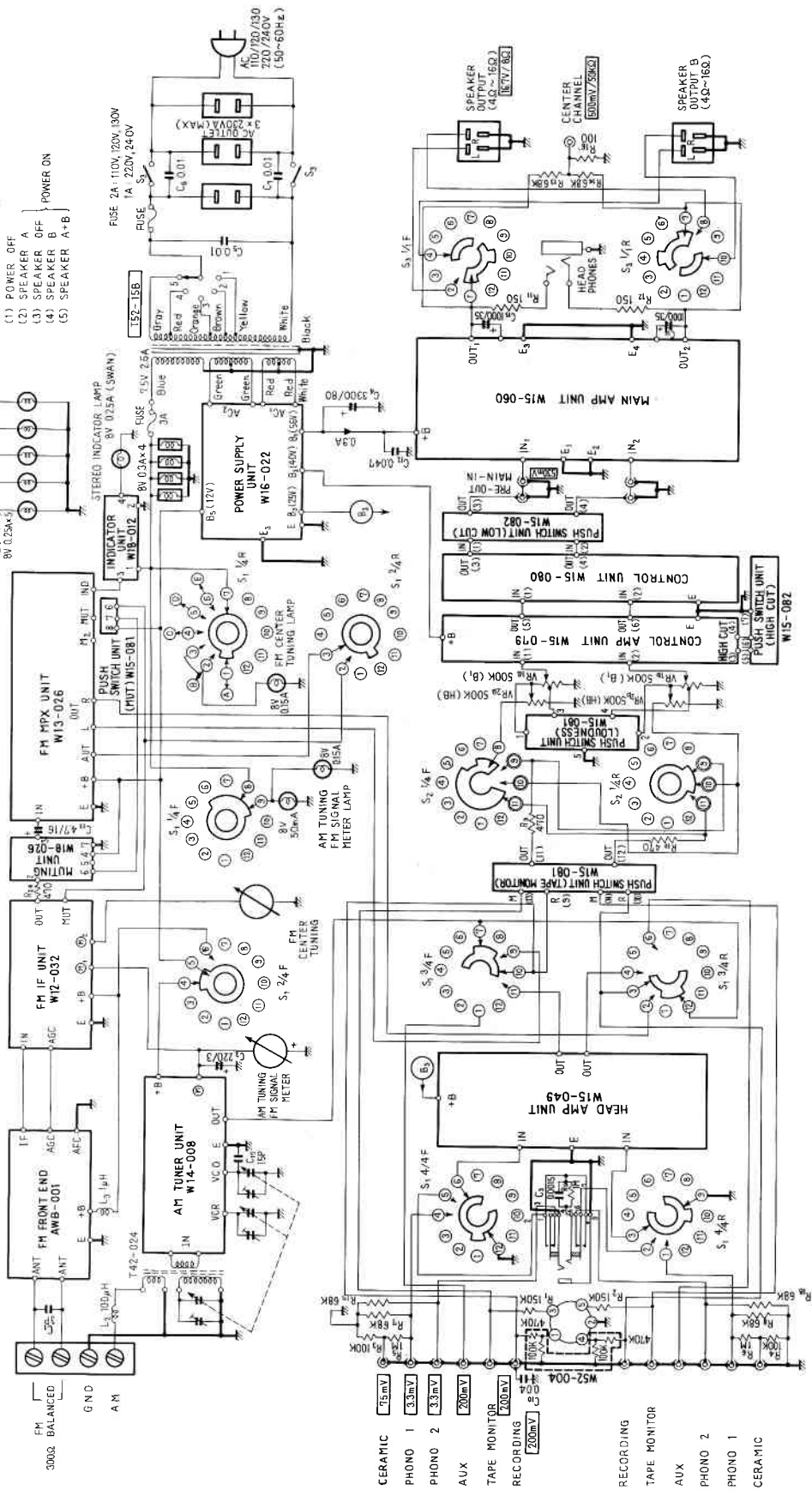
- S<sub>1</sub> INPUT SELECTOR  
 (1) AM (2) FM (3) FM AUTO (4) PHONO 1 (CERAMIC) (5) PHONO 2 (MIC) (6) AUX
- S<sub>2</sub> MODE SELECTOR  
 (1) STEREO REV (2) STEREO NORM (3) MONO L (4) MONO R (5) MONO L+R
- S<sub>3</sub> OUTPUT SELECTOR  
 (1) POWER OFF (2) SPEAKER A (3) SPEAKER OFF (4) SPEAKER B (5) SPEAKER A+B



ITEM No	VALANT
R <sub>1</sub> ~ R <sub>25</sub>	R <sub>10</sub> ~ R <sub>25</sub>
C <sub>1</sub> ~ C <sub>10</sub>	C <sub>1</sub> ~ C <sub>10</sub>

SX-990

- S<sub>1</sub> INPUT SELECTOR  
 (1) AM  
 (2) FM  
 (3) FM AUTO  
 (4) PHONO 1 (CERAMIC)  
 (5) PHONO 2 (MIC)  
 (6) AUX
- (AM) (FM) (PHONO 1) (PHONO 2) (AUX)  
 P.L. (SWAN) 8V (25KΩ)
- S<sub>2</sub> MODE SELECTOR  
 (1) STEREO REV  
 (2) STEREO NORM  
 (3) MONO L  
 (4) MONO R  
 (5) MONO L+R
- S<sub>3</sub> OUTPUT SELECTOR  
 (1) POWER OFF  
 (2) SPEAKER A  
 (3) SPEAKER B  
 (4) SPEAKER A+B  
 (5) POWER ON

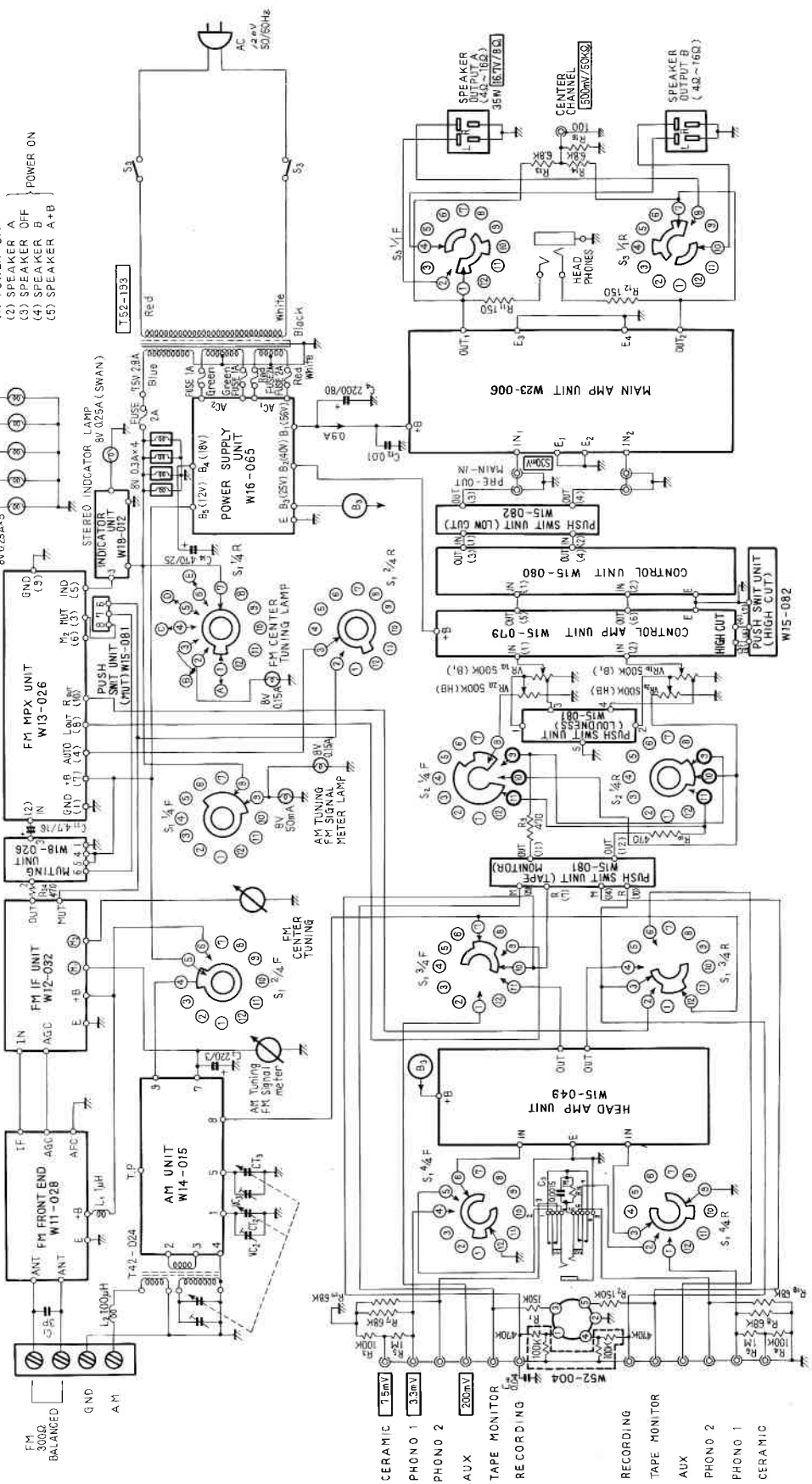


- W52-004  
 0.04  
 200mV
- CERAMIC 75mV  
 PHONO 1 3.3mV  
 PHONO 2 3.3mV  
 AUX 200mV  
 TAPE MONITOR 200mV  
 RECORDING 200mV
- RECORDING TAPE MONITOR  
 AUX  
 PHONO 2  
 PHONO 1  
 CERAMIC

SX-990 for NBW model

SX-990

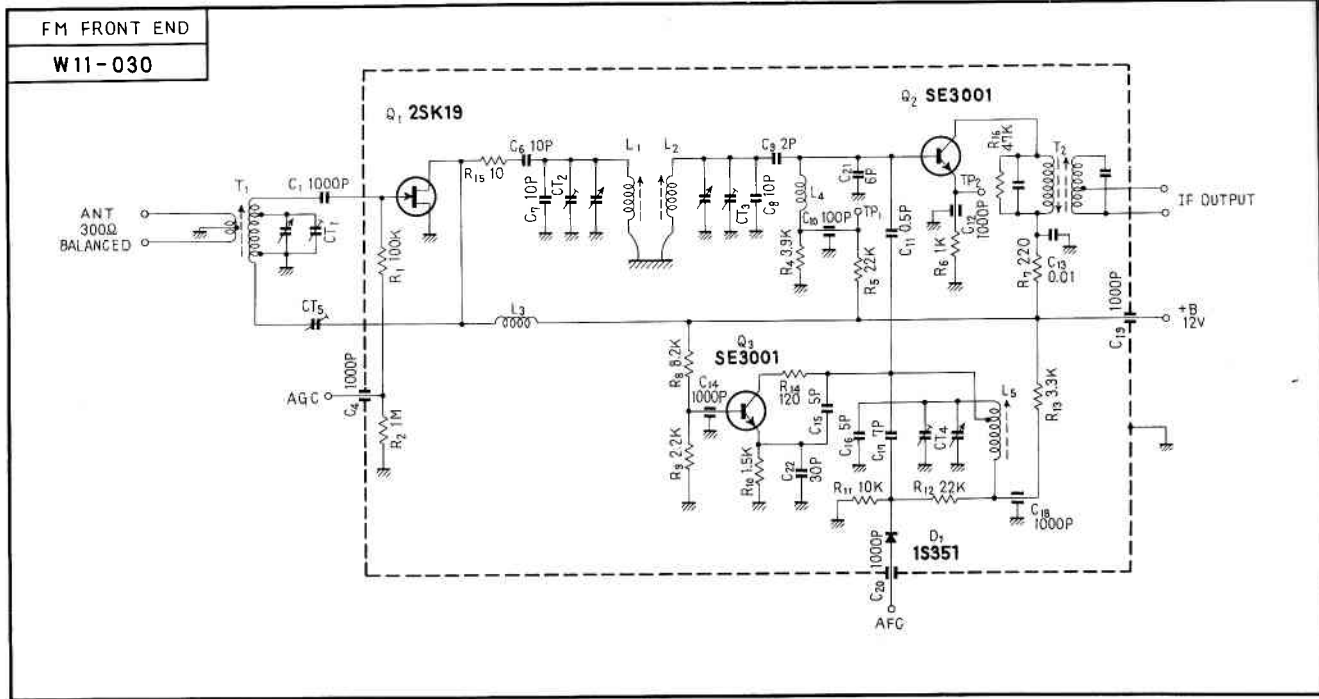
- S<sub>1</sub> INPUT SELECTOR (S13-029)  
 (1) AM (2) PHONO 1 (CERAMIC)  
 (3) FM (4) PHONO 2 (MIC)  
 (5) FM AUTO (6) AUX
- (ANY) (FM) (PHONO 1) (PHONO 2)  
 (1) (2) (3) (4) (5) (6) (AUX)
- PL (SWAN) 8V0.25A×5
- S<sub>2</sub> MODE SELECTOR (S14-035)  
 (1) STEREO REV (2) STEREO NORM  
 (3) MONO L (4) MONO R  
 (5) MONO L+R
- S<sub>3</sub> OUTPUT SELECTOR (S11-022)  
 (1) POWER OFF (2) SPEAKER A  
 (3) SPEAKER B (4) SPEAKER OFF  
 (5) SPEAKER A+B
- POWER ON



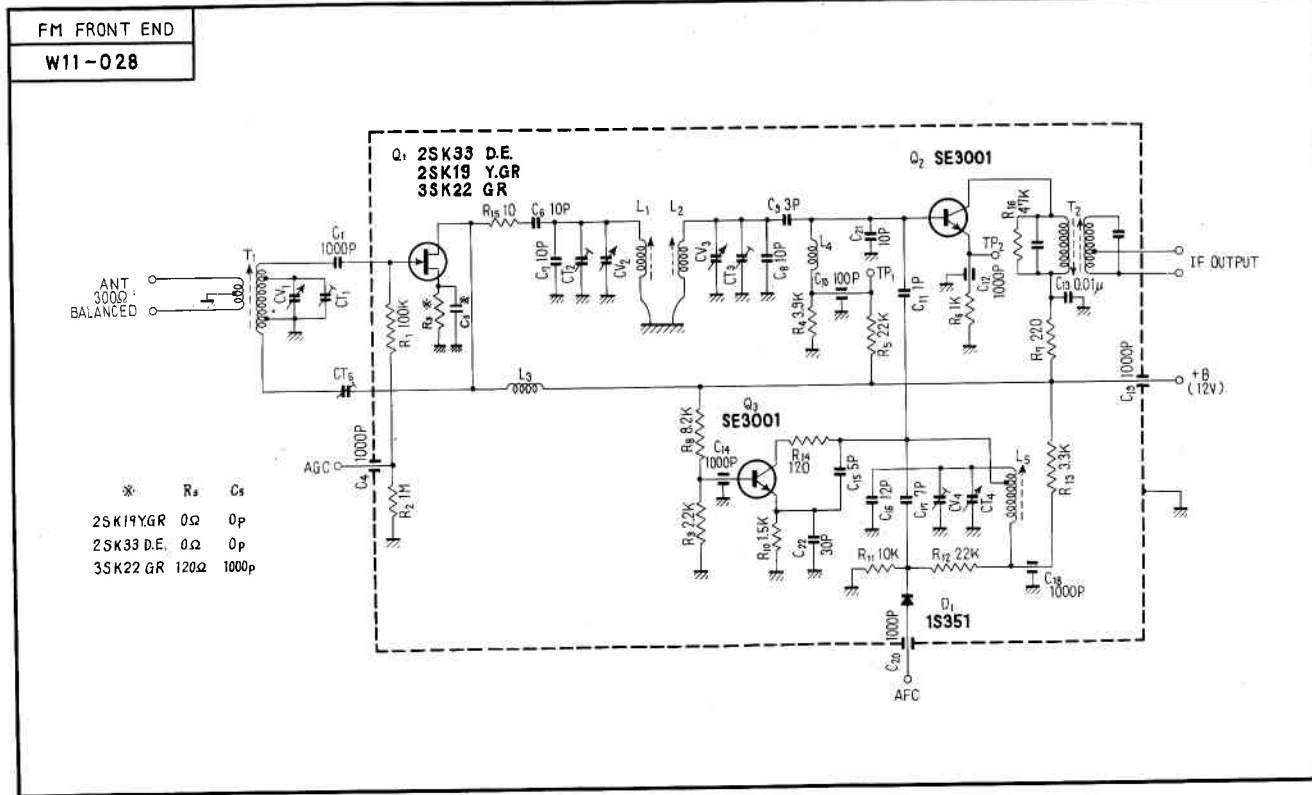
ITEM NO.	VACANT
R <sub>1</sub> - R <sub>10</sub>	R <sub>10</sub> - R <sub>23</sub>
C <sub>1</sub> - C <sub>14</sub>	C <sub>9</sub> , C <sub>6</sub>

- CERAMIC 3.5mV  
 PHONO 1 3.5mV  
 PHONO 2 200mV  
 AUX  
 TAPE MONITOR  
 RECORDING  
 RECORDING  
 TAPE MONITOR  
 AUX  
 PHONO 2  
 PHONO 1  
 CERAMIC

# FM FRONT END for FSAW model



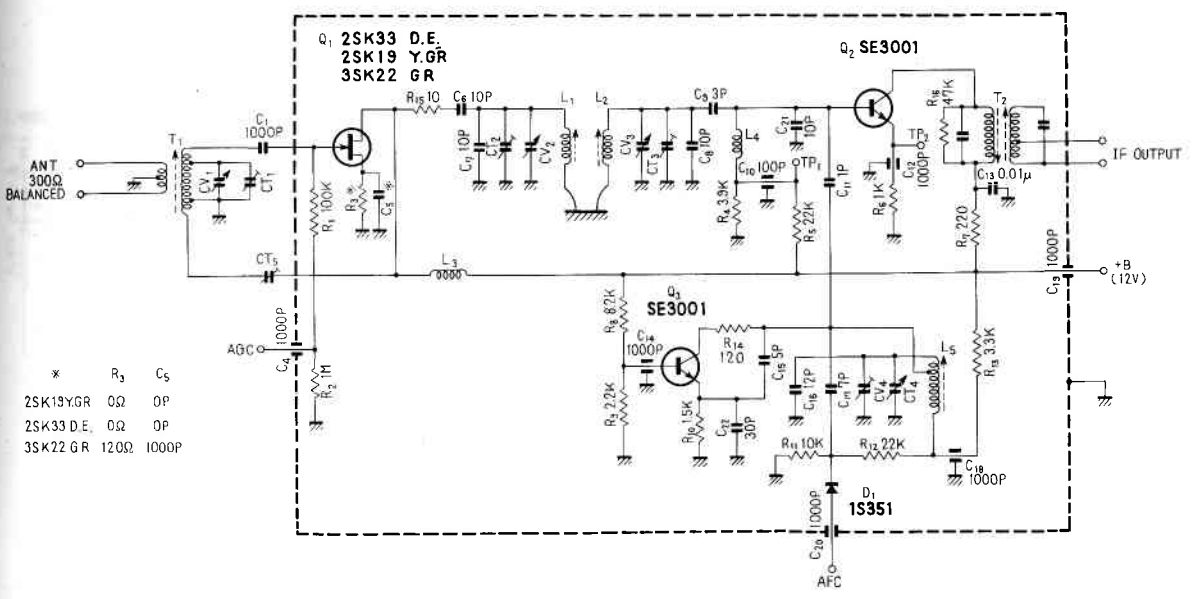
# FM FRONT END for FVW, KCW, KUW, NBW model





FM FRONT END for FVZW model

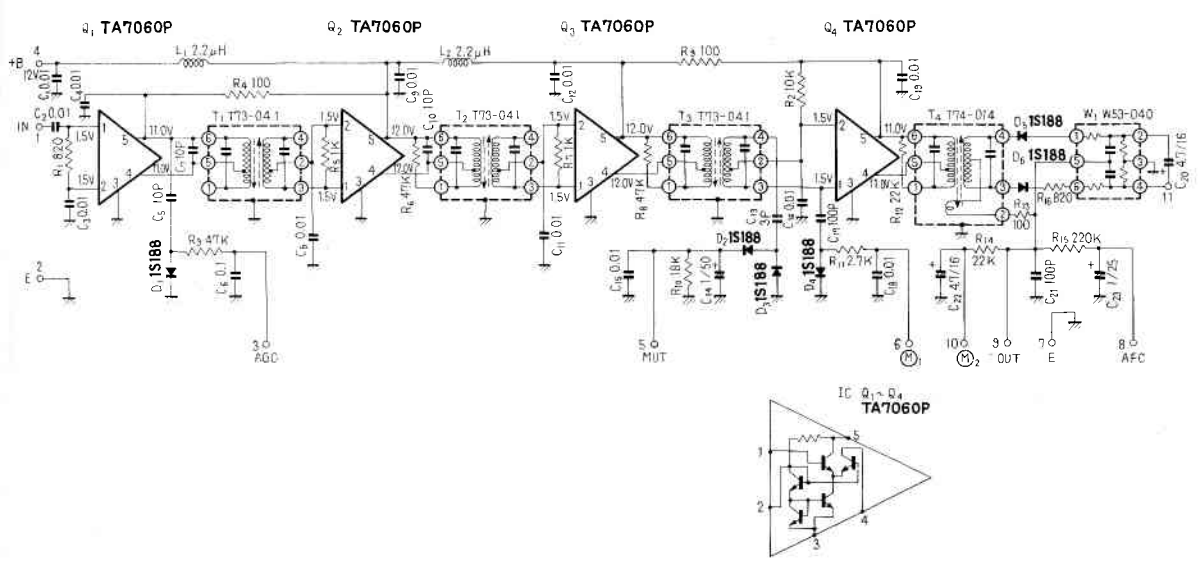
FM FRONT END  
AWB-001



\* R3 C5  
2SK19YGR 0Ω 0P  
2SK33 D.E. 0Ω 0P  
3SK22 GR 120Ω 1000P

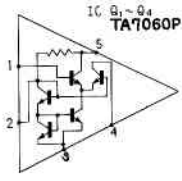
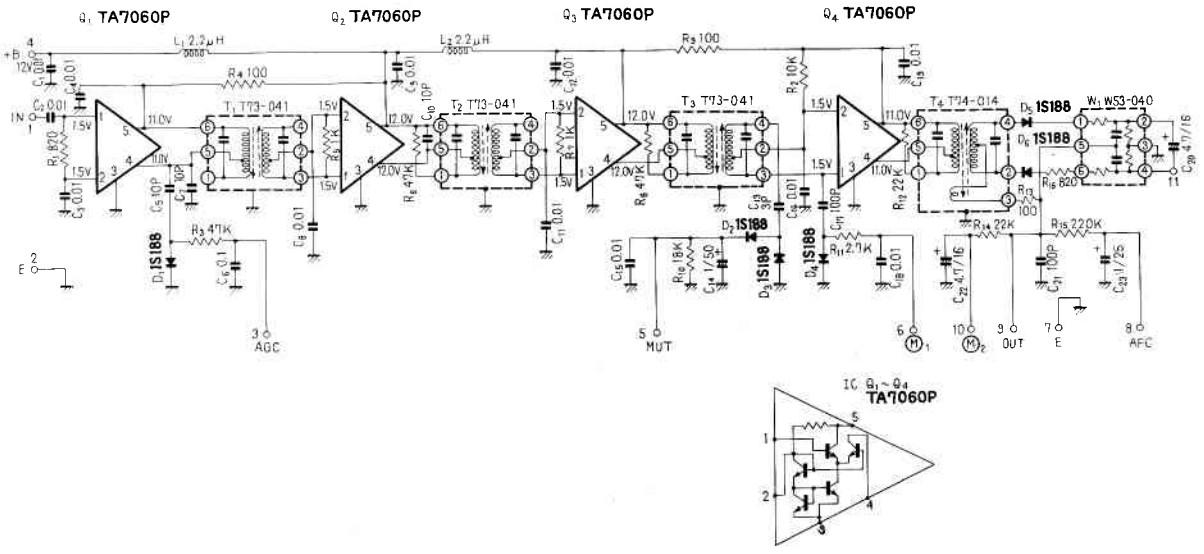
FM IF UNIT

FM IF UNIT  
W12-031



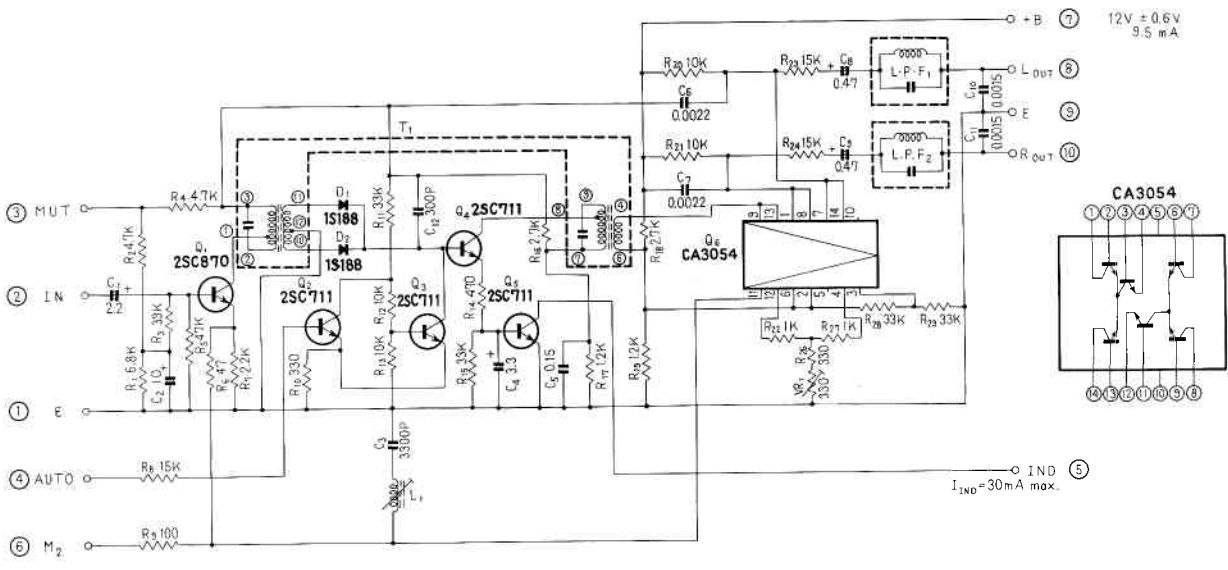
# FM IF UNIT for FVW, FVZW, KCW, KUW, NBW model

FM IF UNIT  
W12-032



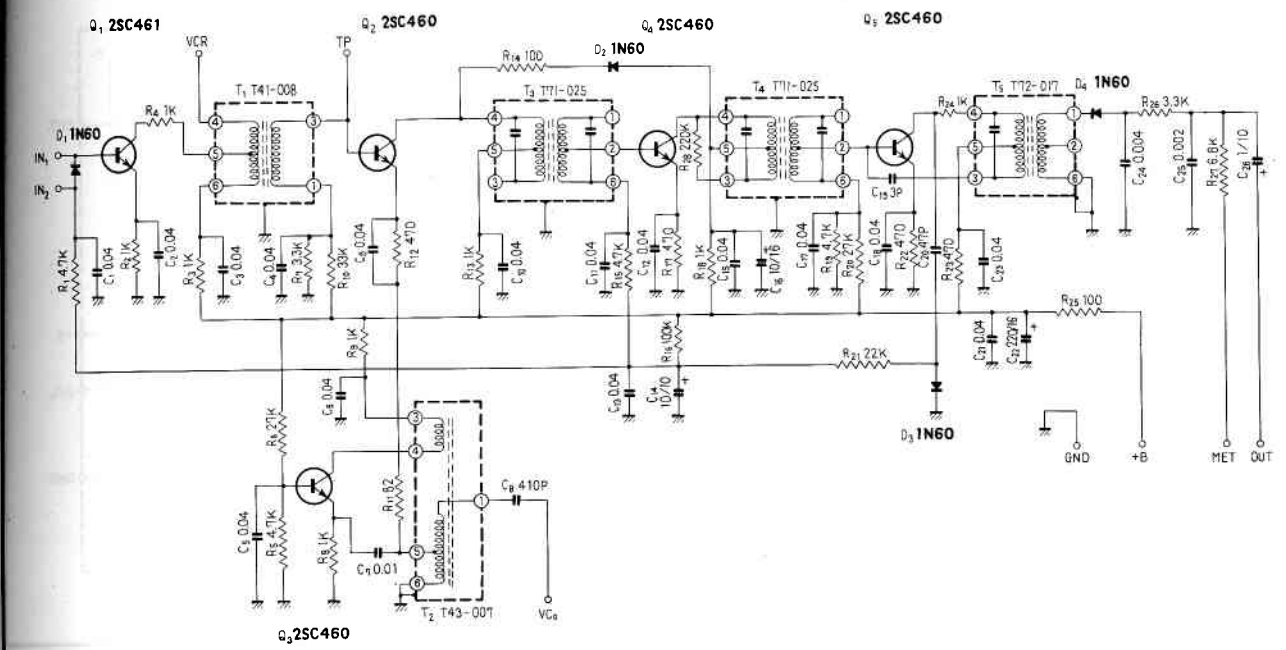
# MPX UNIT

MPX UNIT  
W13-026



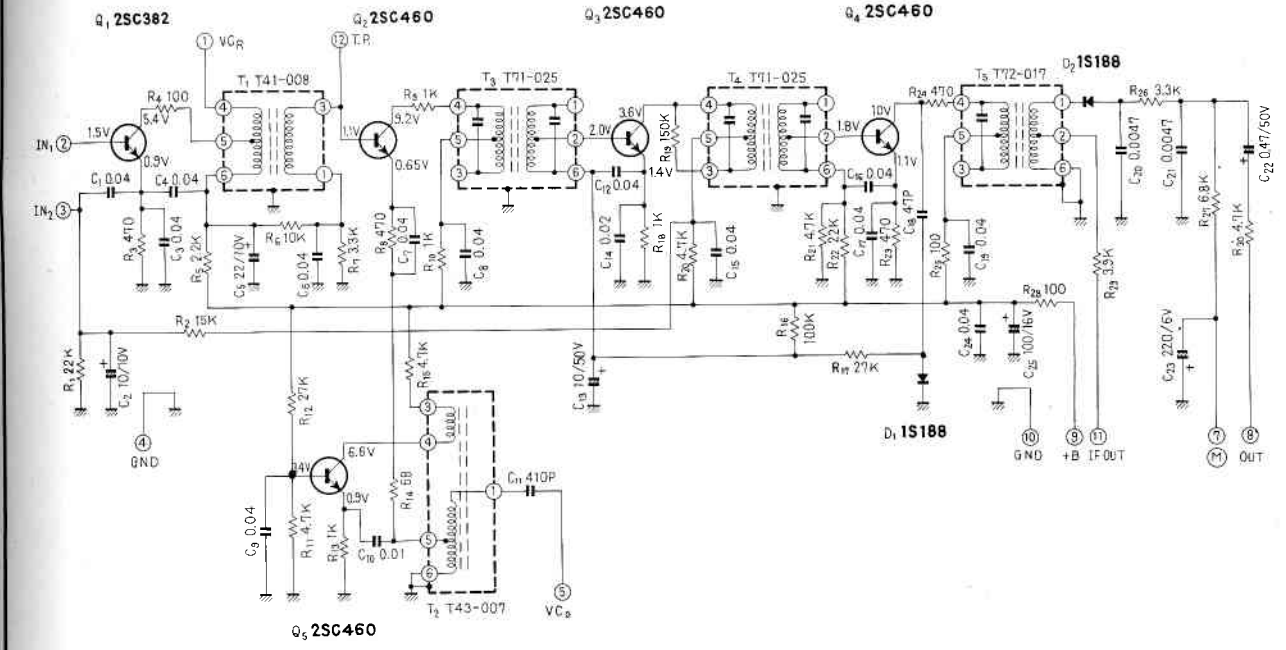
AM TUNER UNIT

AM TUNER UNIT  
W14 - 008

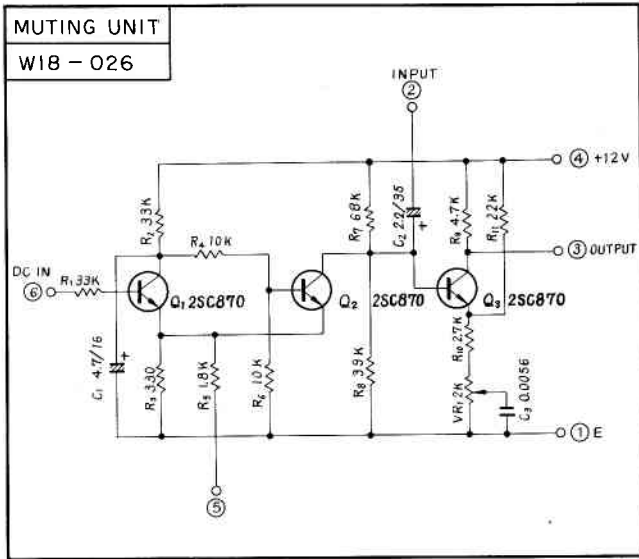


AM TUNER UNIT for NBW model

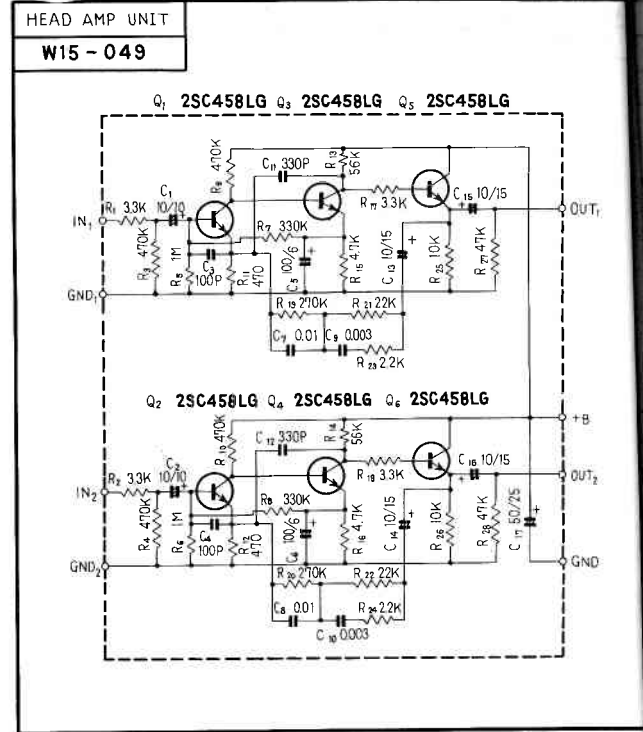
AM TUNER UNIT  
W14 - 015



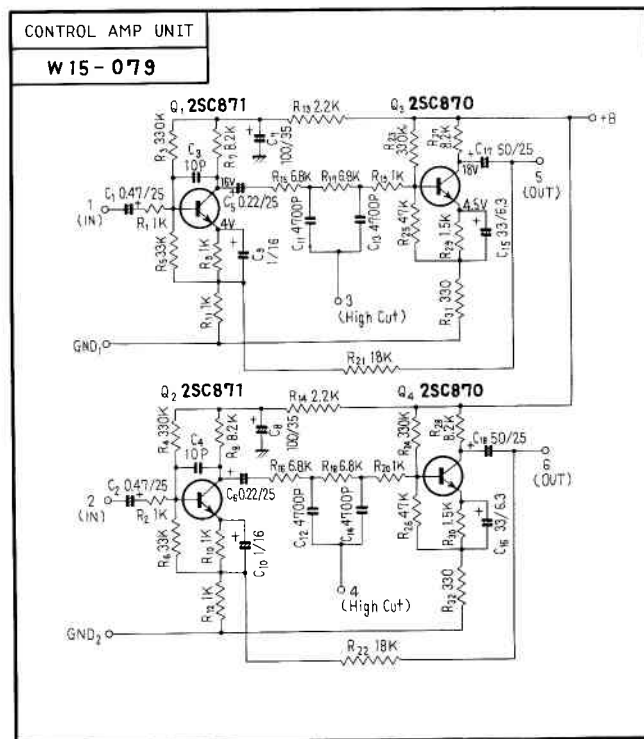
# MUTING UNIT



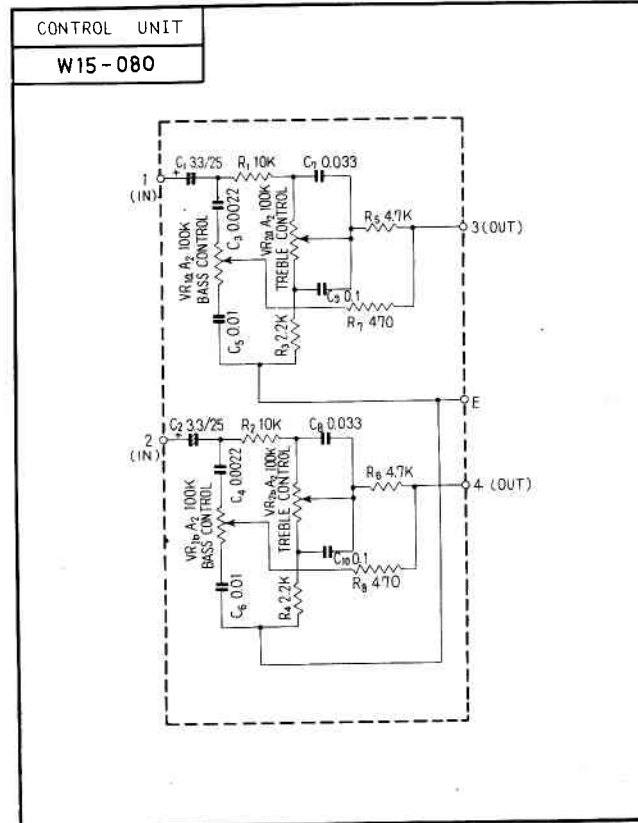
# HEAD AMP UNIT



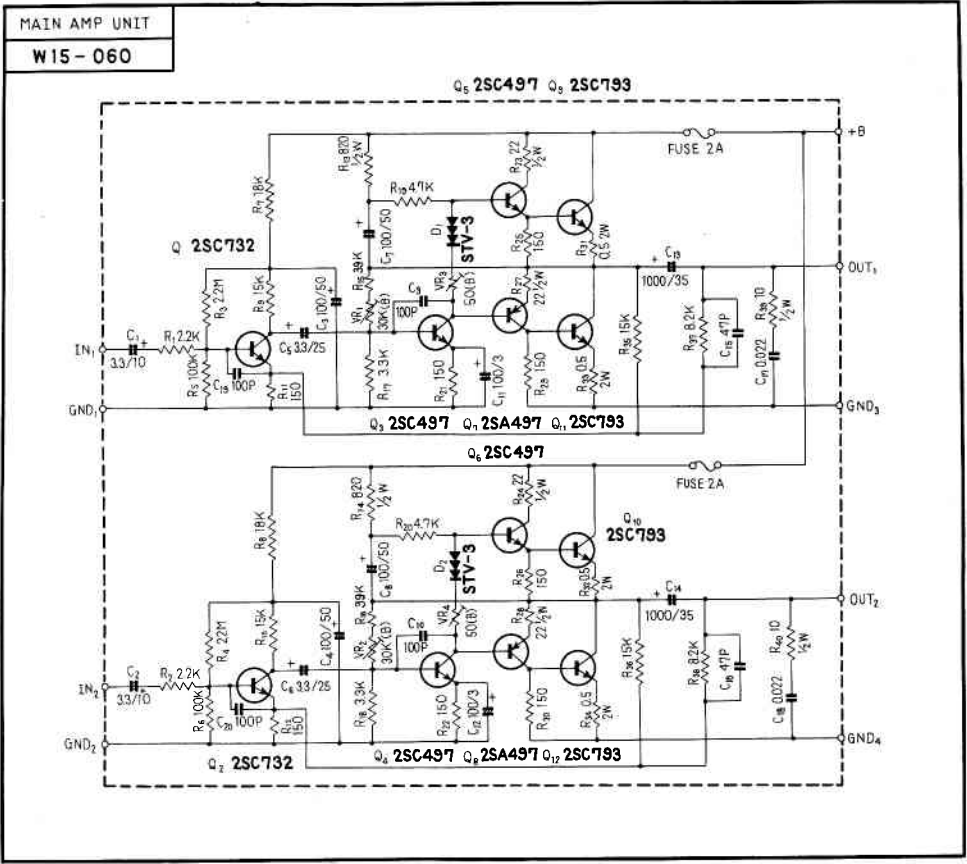
# CONTROL AMP UNIT



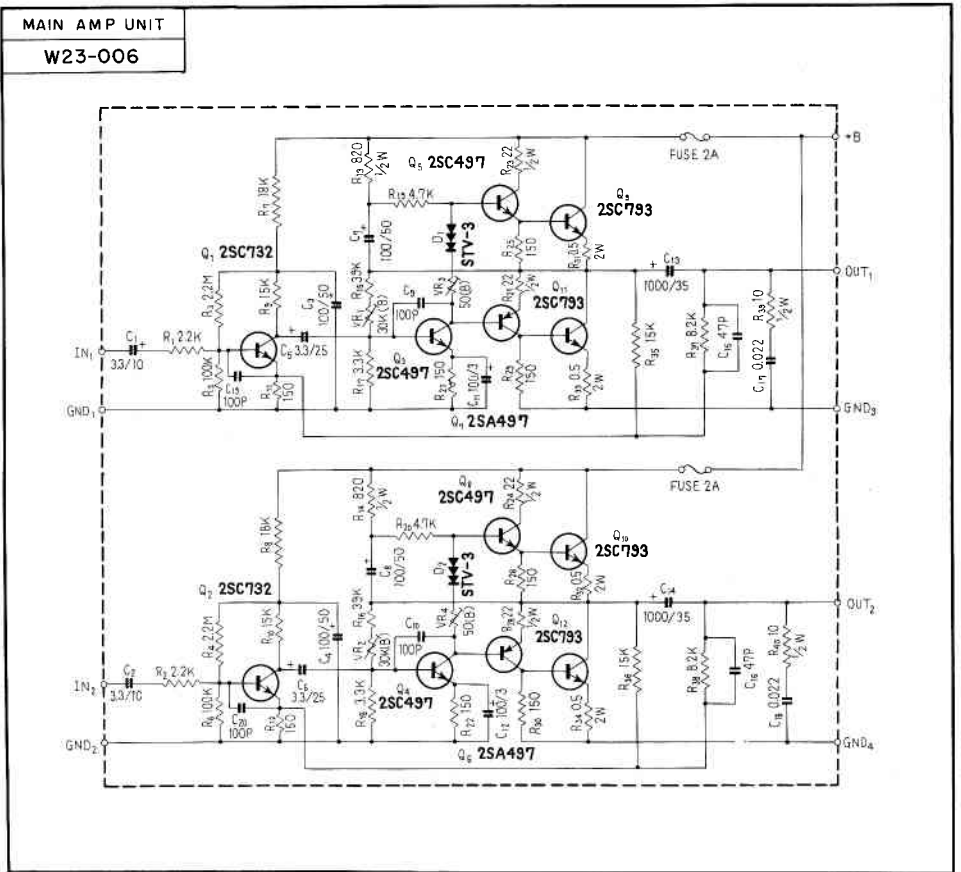
# CONTROL UNIT



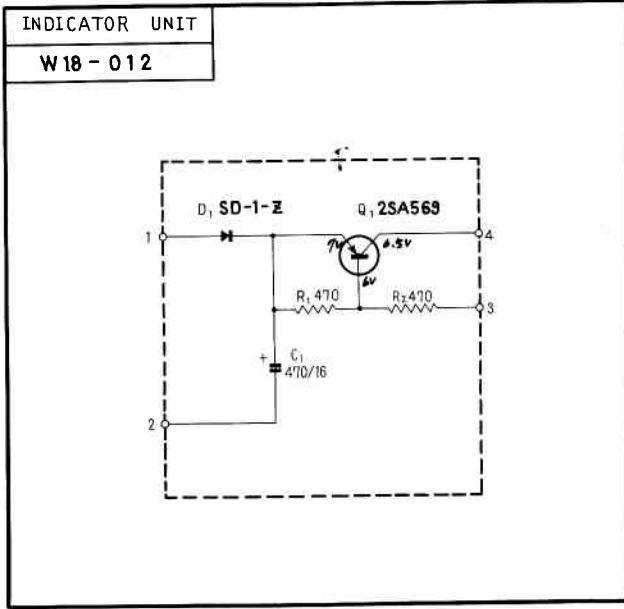
MAIN AMP UNIT



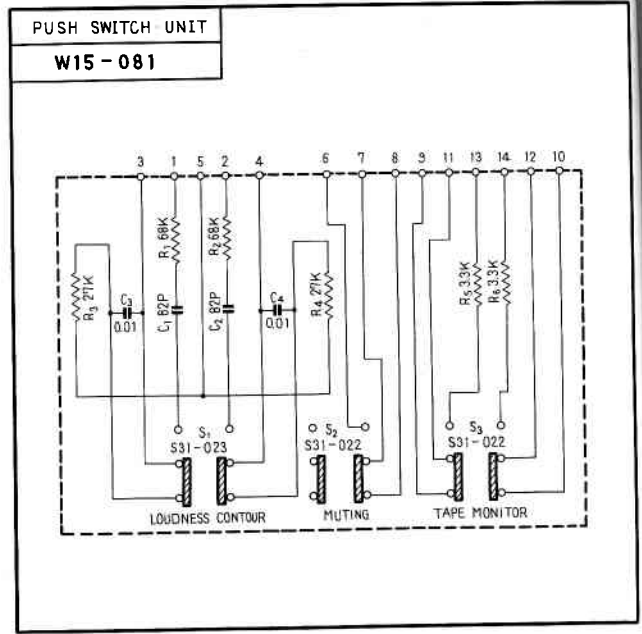
MAIN AMP UNIT for NBW model



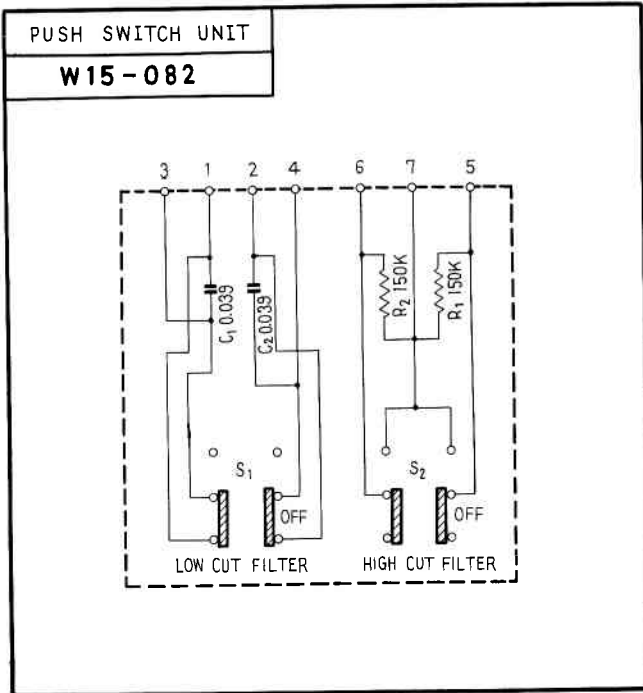
# INDICATOR UNIT



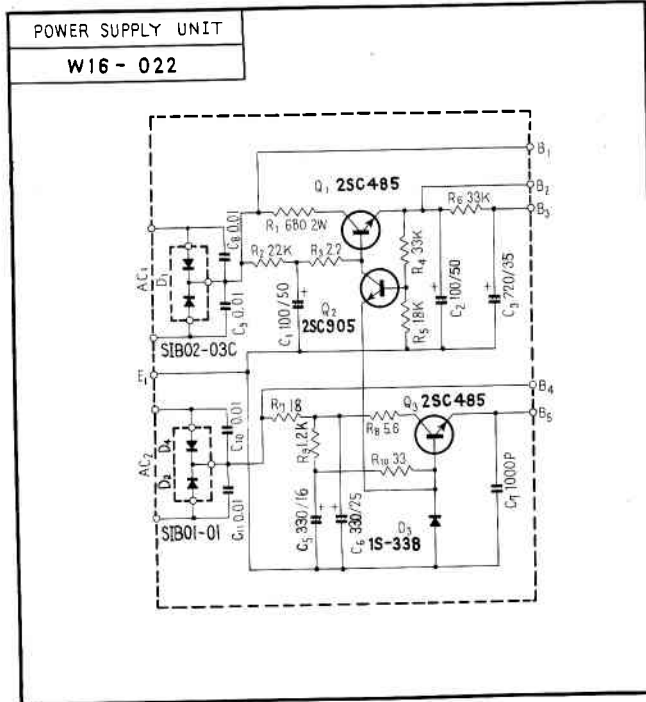
# PUSH SWITCH UNIT



# PUSH SWITCH UNIT



# POWER SUPPLY UNIT



POWER SUPPLY UNIT for NBW model

POWER SUPPLY UNIT

W16 - 065

